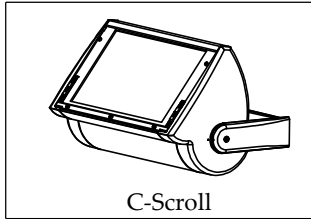
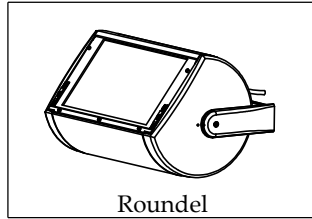


Vault



C-Scroll



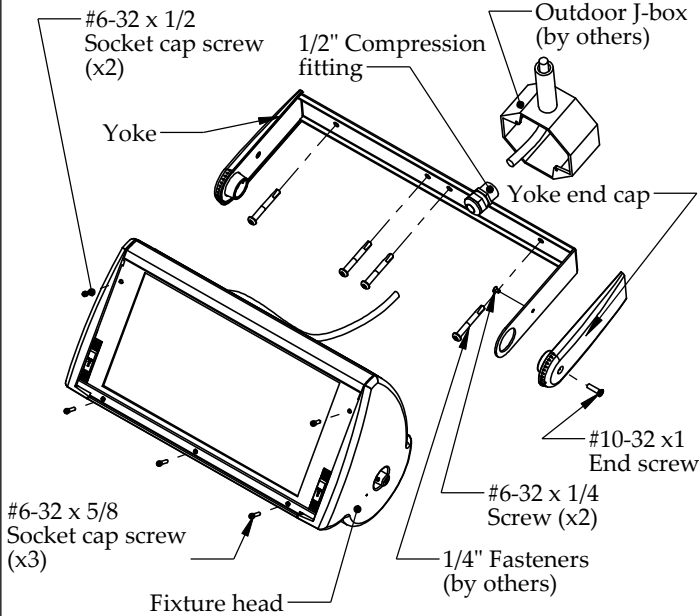
Roundel

These installation instructions are valid with the above Ametrix styles.

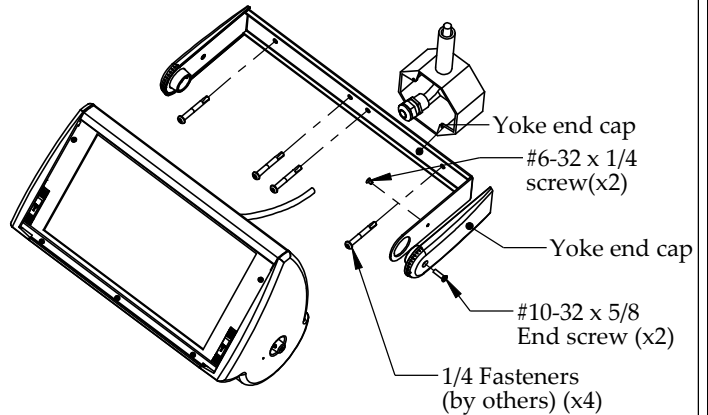
**Large, OUTDOOR
YR (30 1/2")**
(Yoke mount, Remote ballast)
Visor and Non-Visor

Warning: Before starting any work ensure that all sources of power are turned off. All work must meet local/national codes and be performed by a certified electrician. **Do not** mount fixtures vertically.

Exploded view and part call-out

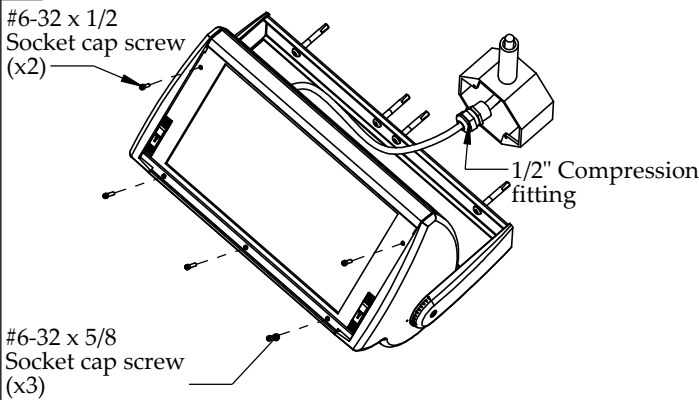


1 Mounting yoke to outdoor surface



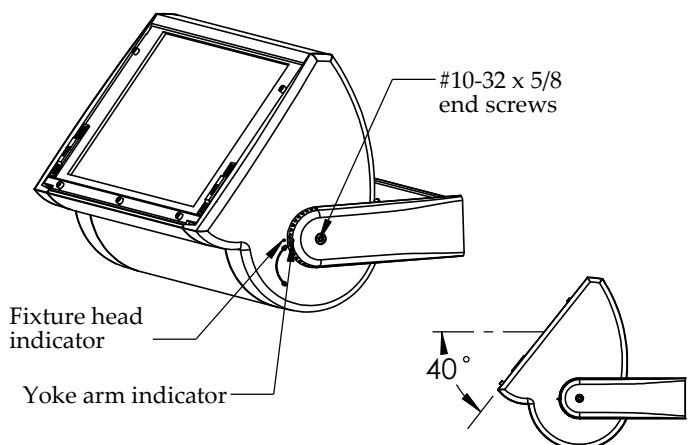
1. To secure yoke to outdoor surface, the fixture head must be removed. First, remove both #10-32 x 5/8 end screws.
2. Remove **one** #6-32 x 1/4 screw to remove yoke end cap and fixture head. Place both fixture head and yoke end cap in a safe place.
3. With fixture head and yoke end cap safely stored, secure yoke to outdoor surface using four(4) appropriate 1/4" fasteners (by others).

2 Wiring and sealing outdoor fixture

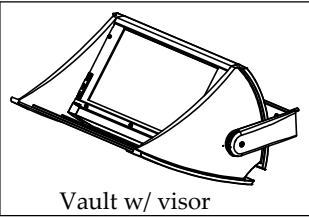


1. To seal fixture head, after installing lamp, all screws and latches must be secured on door face. Holes above latches receive the #6-32 x 1/2 socket cap screws. The center hole(s) receive the longer #6-32 x 5/8 socket cap screw.
2. Slide 1/2" compression fitting down fixture head wire and splice with power feed, ensuring all connections are properly matched. Seal 1/2" compression fitting to outdoor surface and ensure a watertight seal.

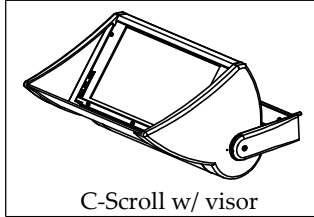
3 Aiming the fixture



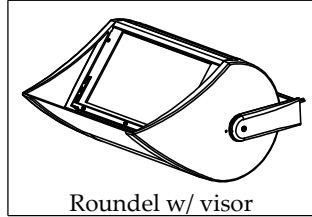
1. To aim fixture, loosen both #10-32 x.625 end screws. When the PointGrab™ system indicators are lined up, the slope of the lens face is 40-degrees. Each subsequent notch is an additional 10-degrees.
2. When the fixture head is adjusted to the desired angle, re-tighten end screws to secure the position.



Vault w/ visor



C-Scroll w/ visor



Roundel w/ visor

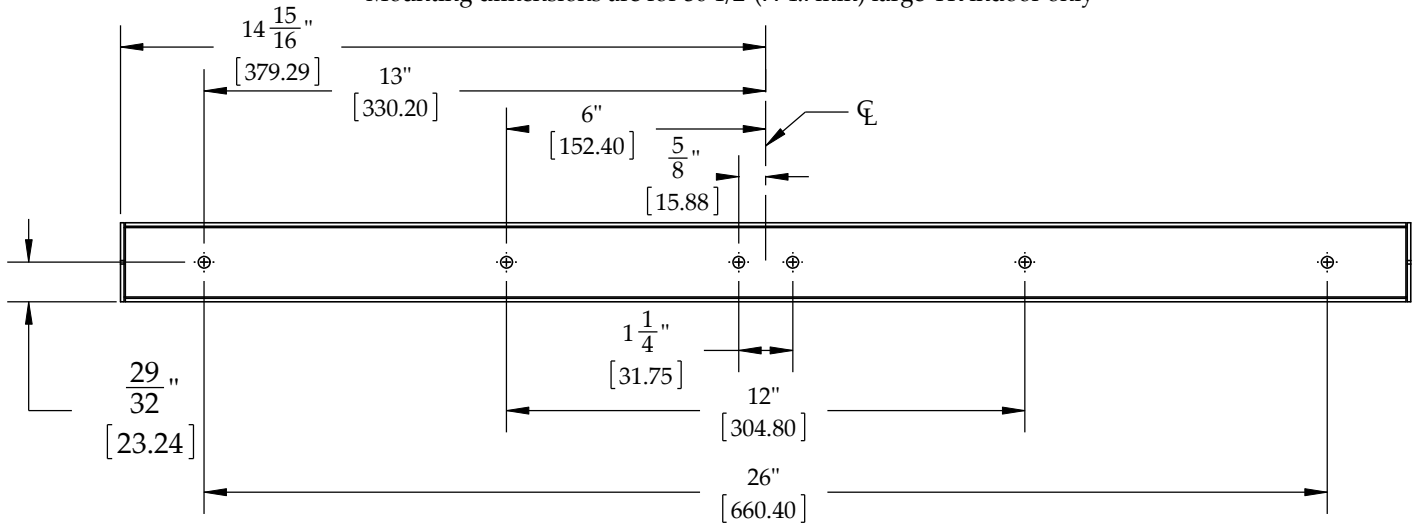
These installation instructions are valid with the above Ametrix styles

Large, OUTDOOR YR (30 1/2") (Yoke mount, Remote ballast) Visor and Non-Visor

Warning: Before starting any work ensure that all sources of power are turned off. All work must meet local/national codes and be performed by a certified electrician. **Do not** mount fixtures vertically.

Mounting Plate Dimensions In [mm]

Mounting dimensions are for 30 1/2"(774.7mm) large YR indoor only



Lamping Size Chart (lamps provided by others)

FIXTURE SIZE (inches/ mm)	WATTAGE	# OF LAMPS	LAMP TYPE	LAMP DESCRIPTION
30 1/2 / 774.7	36 W	1	T5	Twin Tube
30 1/2 / 774.7	40 W	1	T5	Twin Tube
30 1/2 / 774.7	50 W	1	T5	Twin Tube
30 1/2 / 774.7	55 W	1	T5	Twin Tube
30 1/2 / 774.7	36 W	2	T5	Twin Tube
30 1/2 / 774.7	40 W	2	T5	Twin Tube
30 1/2 / 774.7	50 W	2	T5	Twin Tube
30 1/2 / 774.7	55 W	2	T5	Twin Tube
30 1/2 / 774.7	250 W	2	ET18	Metal Halide
30 1/2 / 774.7	400 W	2	ET18	Metal Halide
30 1/2 / 774.7	900 W	1	T3	Halogen(Double Ended)
30 1/2 / 774.7	1000 W	1	T3	Halogen(Double Ended)

LAMP
(not to scale)

